

SHAD LOCKS

ENGINEERED FOR RIDING



DISC LOCKS USER GUIDE

SC62A

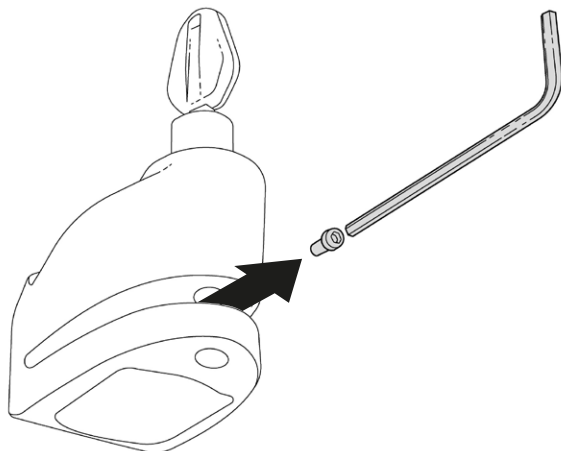
Ref. C0S6200A (Black)

Ref. C0S6203A (Yellow)

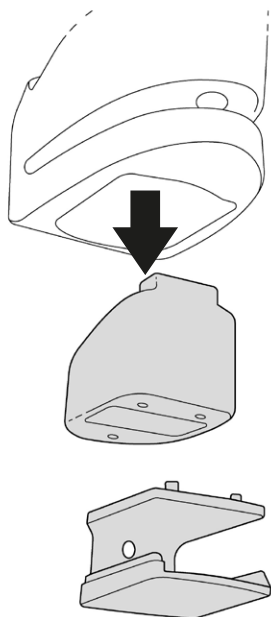
WWW.SHAD.ES

INSTALL BATTERY

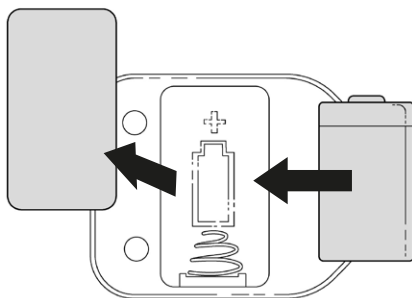
1



2

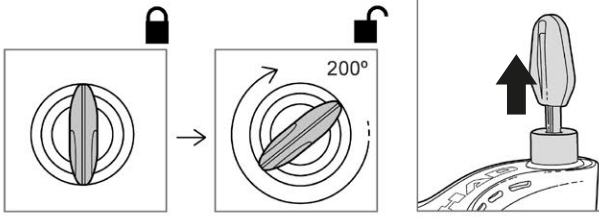


3

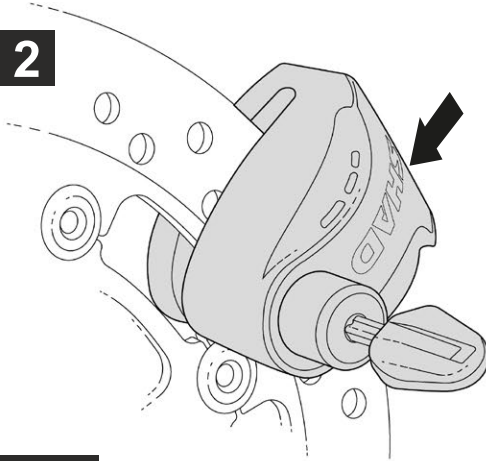


ASSEMBLY

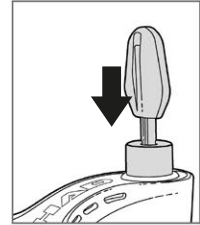
1



2

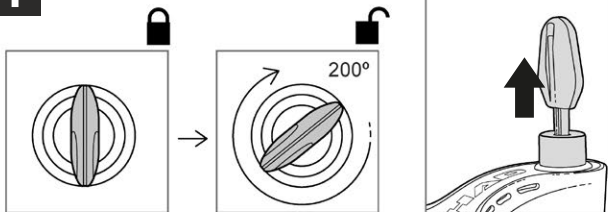


3

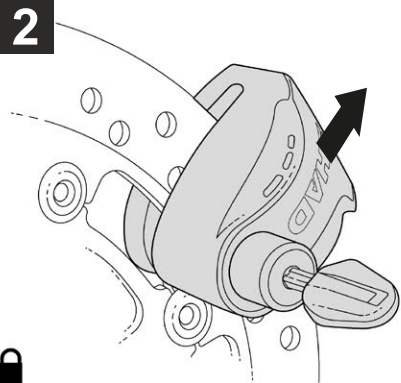


RELEASE

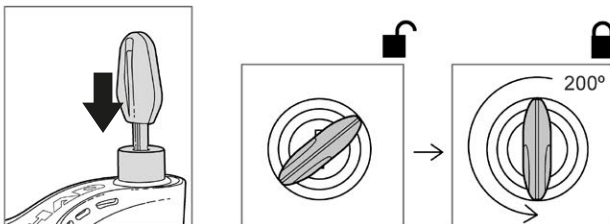
1



2

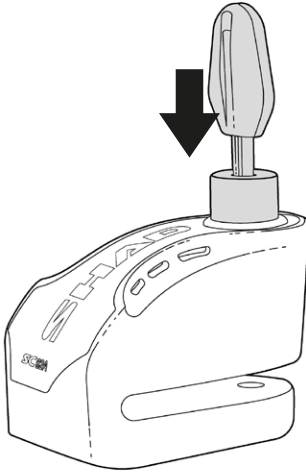


3



ACTIVATE ALARM

1



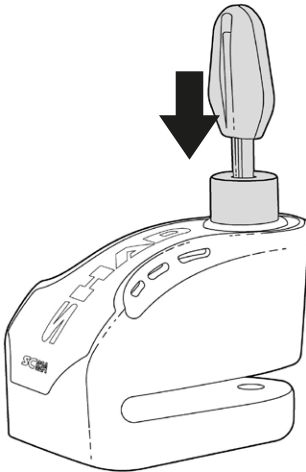
1 BEEP = ALARM ON

After 6 seconds

1 BEEP = ALARM ACTIVATED

DEACTIVATE ALARM

1



2 BEEPS = ALARM OFF



WE ARE
DOING
GREEN

RESOURCE REDUCTION
60% SELF SUSTAINING FACTORIES
1500 TREES PLANTED 🌲🌲🌲



ISO 14001:2015



WWW.SHAD.ES