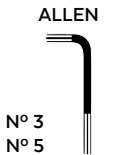


HONDA CB650R '24-

M O U N T I N G I N S T R U C T I O N S

REF 22138

PLACA FRONTAL ABS / ABS FRONT PLATE



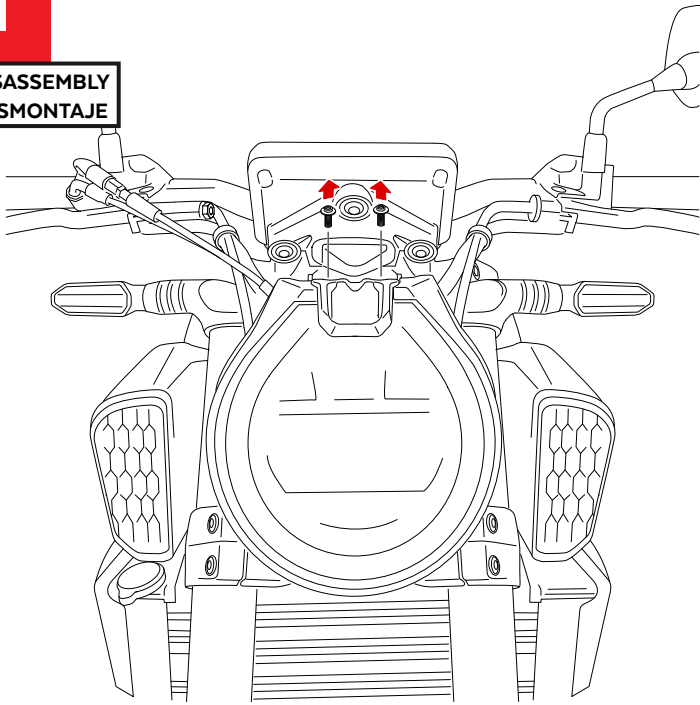
ID.	PIEZA/PART	DESCRIPCIÓN	DESCRIPTION	QTY.	REF.:
1		Placa frontal ABS	ABS front plate	1	10526J/CM3
2		Soporte	Support	1	SOPORIP3--21963
3		Casquillo Ø14xØ8x6mm	Ø14xØ8x6mm arrowhead	2	CASQUI-----208
4		Tornillo M5x20 Ø11 ISO 7380 (Negro)	M5x20 Ø11 ISO 7380 screw (Black)	2	TORNI-I7380-730
5		Tope de goma Ø3,7-3,8x3,2mm	Ø3,7-3,8x3,2mm bumper foot	4	TOPE--POF-40022
6		Silentblock M5	M5 silentblock	2	SILENBTM5-046/1
7		Arandela nylon M5x1	M5x1 nylon washer	2	ARNV00000000245
8		Tornillo allen M5x16 Ø11 ISO 7380 (Inox)	M5x16 Ø11 ISO 7380 allen screw (Inox)	2	TORNI-IA----423
9		Tapón tornillo M5 ISO 7380	M5 ISO 7380 screw cap	2	TAPON-----85
10		Kit adhesivos	Stickers set	1	10535

HONDA CB650R '24-

INSTRUCCIONES DE MONTAJE - MOUNTING INSTRUCTIONS - MONTAGEANLEITUNG

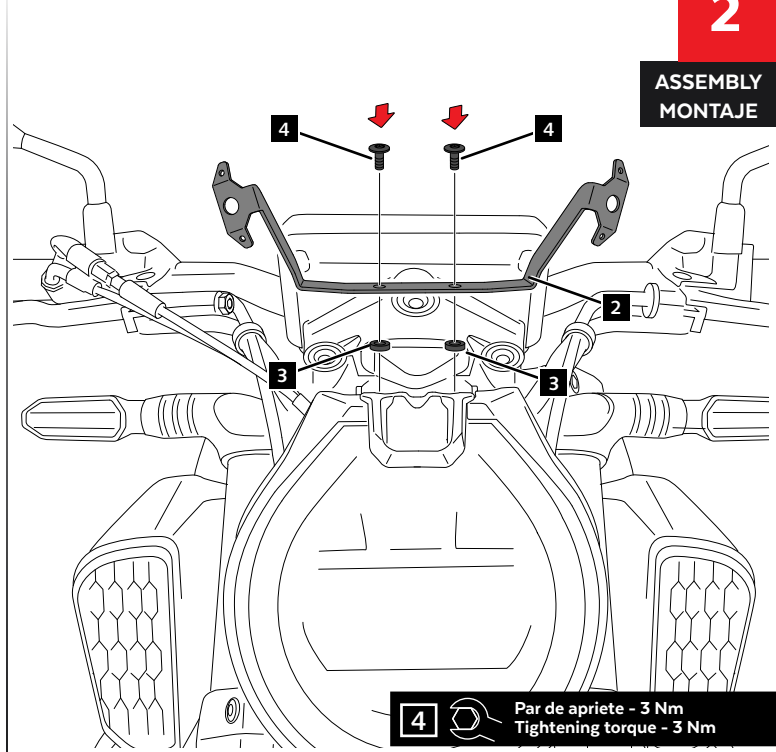
1

DISASSEMBLY
DESMONTAJE



2

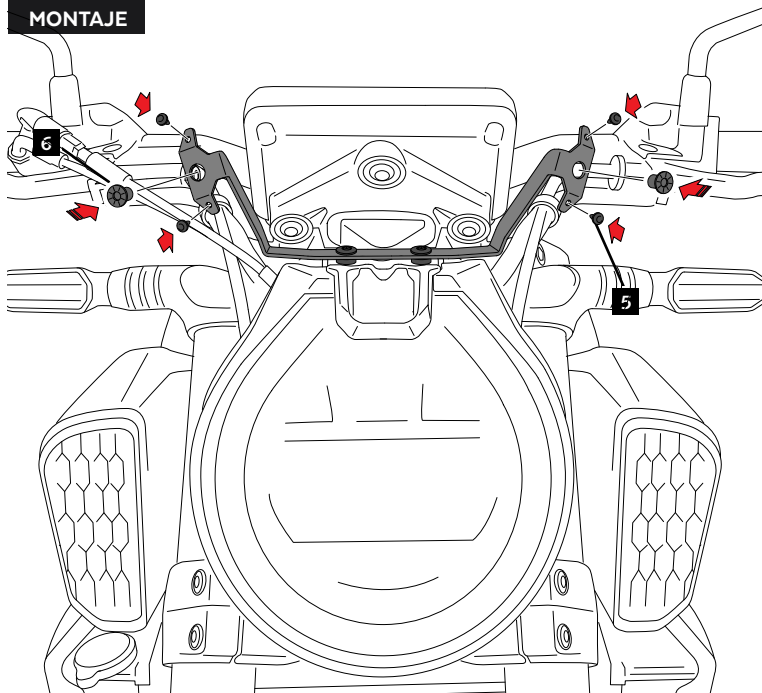
ASSEMBLY
MONTAJE



4 Par de apriete - 3 Nm
Tightening torque - 3 Nm

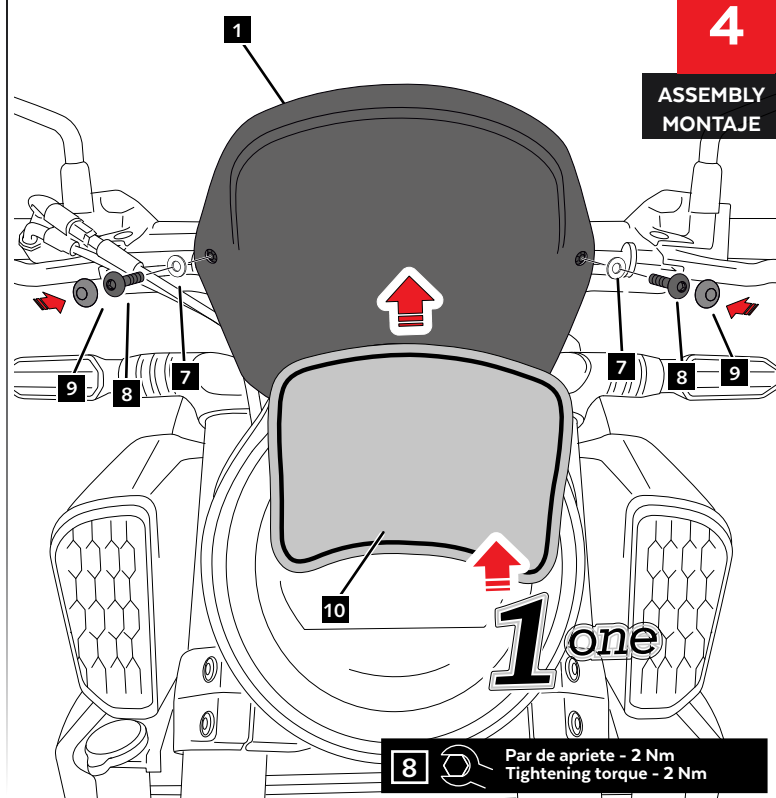
3

ASSEMBLY
MONTAJE



4

ASSEMBLY
MONTAJE



8 Par de apriete - 2 Nm
Tightening torque - 2 Nm